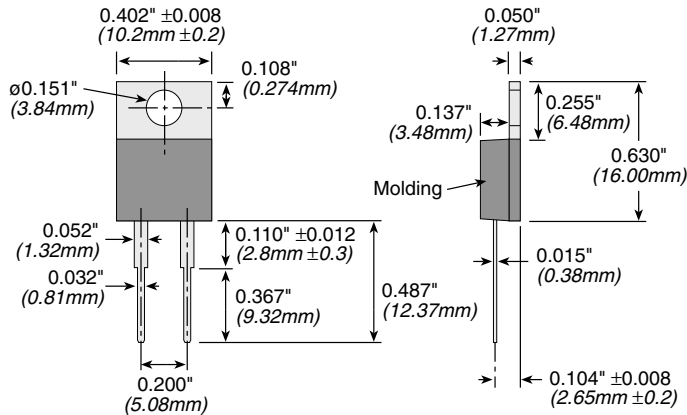


TBH Series

25 Watt TO220 Package Thick Film Power



Note: These dimensions apply to TBH products manufactured after March 2007

ORDERING INFORMATION

RoHS compliant
Non-RoHS version unavailable

TBH25P2R00JE

Series

Ohm Value

Tolerance

Example:
10R0 = 10 ohms
1K50 = 1500 ohms

J = 5%, standard

STANDARD PART NUMBERS FOR TBH SERIES

Ohms	Part Number 5% Tolerance	Ohms	Part Number 5% Tolerance
2	TBH25P2R00JE	100	TBH25P100RJE
7.5	TBH25P7R50JE	150	TBH25P150RJE
10	TBH25P10R0JE	220	TBH25P220RJE
15	TBH25P15R0JE	240	TBH25P240RJE
22	TBH25P22R0JE	330	TBH25P330RJE
30	TBH25P30R0JE	470	TBH25P470RJE
33	TBH25P33R0JE	510	TBH25P510RJE
47	TBH25P47R0JE	1000	TBH25P1K00JE
51	TBH25P51R0JE	1500	TBH25P1K50JE
75	TBH25P75R0JE	2000	TBH25P2K00JE
		2700	TBH25P2K70JE
		10,000	TBH25P10K0JE

Check product availability at www.ohmite.com

Ohmite's TBH25 TO220 style resistors are designed for a variety of uses that require intermediate heatsinkable power at an economical price. Engineered for industrial applications, these resistors deliver reliable performance to traditional high-quality Ohmite standards.

FEATURES

- 25 Watts, @ 25°C case temperature
- Non-Inductive Performance
- Low Thermal Resistance
- Anti-static tube packaging available
- Economically priced
- Resistance element is electrically insulated from metal heat sink mounting tab

APPLICATIONS

- Power Supplies
- Industrial Controls
- Automotive Steering
- Pre-load/Damping
- Snubber/Bleeder

SPECIFICATIONS

Material

Resistor: Thick film element
Case: High Temperature Plastic
Terminals: Solder coated phosphor bronze

Electrical:

Derating: 100% @ 25°C to 0% @ 150°C curve referenced to case temperature

Dielectric Strength: 1000 VDC
Max. Mounting Torque: 0.9Nm
Operating Temperature Range: -55°C to +150°C

Temperature Coefficient:

2-10 ohm @ ±100ppm
11-10k ohm @ ±50ppm

Thermal Resistance:

5°C/W

Power: 25 Watts. Rating based on 25°C case temperature. The case temperature is to be used for the purposes of establishing the applied power limit. The case temperature must be made with thermocouple contacting the center of the component's mounting tab mounted on designated heat sink.

Resistance Range: 2.0Ω-10K
Max. Operating Voltage: 350V

TEST DATA

Load Life	(1000hrs @ rated power)	max. ΔR ±1%
Moisture Resistance	(MIL-STD-202, method 106)	max. ΔR ±0.5%
Short Time Overload	(2x rated power, not to exceed 1.5x max. operating voltage)	max. ΔR ±0.3%
Solderability	(MIL-STD-202, method 208)	
Thermal Shock	(MIL-STD-202, method 107, cond. F)	max. ΔR ±0.3%
Terminal Strength	(MIL-STD-202, method 211, cond. A (pull test) 2.4N)	max. ΔR ±0.2%
Vibration	(MIL-STD-202, method 204, cond. D)	max. ΔR ±0.2%